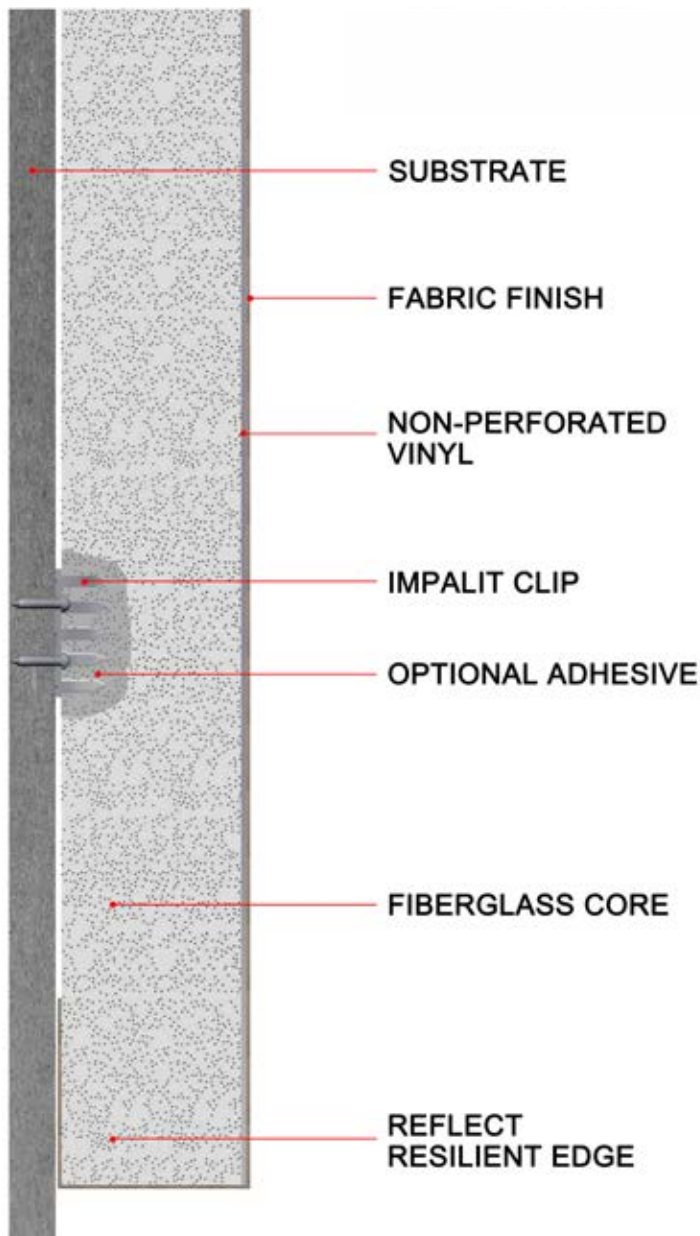




# LFT - TUNER

## Impact Resistant Acoustical Wall Panels



- Provides excellent sound control where low-frequency standing waves or resonance are an issue as in choral and band practice rooms
- Extensive finish options available in EUROMAT and EUROMATALLIC coatings, PRINTS polyesters, olefins, polyolefins, polypropylenes, and Xorel fabrics plus vinyls and fabrics COM
- REFLECT resilient or hardened edges in square, bevel, chamfer, pencil radius, bullnose + custom configurations
- Sustainable fiberglass core attributes
  - 50% post-consumer recycled glass
  - Manufactured in Shelbyville, IN
- LEED Credits
  - MR Credit 4.1 = 1 point
  - MR Credit 4.2 = 1 point
  - EA Credit 1= 1 to 10 points
  - EQPR3 Prerequisite
  - EQ Credit 7.1 = 1 point
  - EQ Credit 9 = 1 to 2 points
  - EQ Credit 10 = 1 point

# PRODUCT DATA



<b>SPECIFICATIONS</b>	Section 09 83 19 Acoustical Wall Panels																		
<b>MATERIALS</b>	6 pcf fiberglass cores with non-perforated vinyl are inert, non-combustible, dimensionally stable and fully upholstered with heat sealed corners																		
<b>FIRE</b>	ASTM E 84 all components are Class A																		
<b>ACOUSTICS</b>	<table><tr><td>Description</td><td>hz</td><td>125</td><td>250</td><td>500</td><td>1000</td><td>2000</td><td>4000</td><td>NRC</td></tr><tr><td>2"</td><td></td><td>0.67</td><td>0.62</td><td>0.56</td><td>0.39</td><td>0.33</td><td>0.14</td><td>0.50</td></tr></table> <p>Tested per ASTM C-423 in a type A mounting with unbacked, acoustically transparent panel fabric</p>	Description	hz	125	250	500	1000	2000	4000	NRC	2"		0.67	0.62	0.56	0.39	0.33	0.14	0.50
Description	hz	125	250	500	1000	2000	4000	NRC											
2"		0.67	0.62	0.56	0.39	0.33	0.14	0.50											
<b>EDGE</b>	Profile: square, bevel, chamfer, pencil radius, bullnose + custom  Construction: REFLECT resilient standard with optional hardened and aluminum edges																		
<b>CORNER</b>	square, radius																		
<b>SHAPE</b>	rectangular + custom																		
<b>SIZE</b>	up to 48" x 120" + custom																		
<b>CONFIGURATION</b>	flat																		
<b>MOUNTING</b>	2" panels z-bar/z-clip, z-clip/z-clip																		
<b>FINISH</b>	EUROMAT and EUROMATALLIC coatings, PRINTS, polyesters, olefins, polyolefins, polypropylenes and Xorel fabrics plus vinyls and COM																		
<b>LIMITATION</b>	EUROMAT and EUROMATALLIC coatings are not designed for use in the occupied space and should be restricted to wall applications above 10'  LFT - TUNER panels are not intended for use in harsh environments such as exteriors, kitchens, food processing, food preparation and cleanrooms  The use of acrylic backed fabrics will reduce the acoustical performance of the panel																		



**soundconcepts**  
Making your ideas resonate

599 Henry Avenue  
Winnipeg, Manitoba  
Canada R3A 0V1  
p: 866.525.4496 / 204.783.6297 • f: 204.783.7806  
e: customerservice@soundconceptscan.com  
w: www.soundconceptscan.com