

C PRODUCT:

**SHIPLAP
CEILING SYSTEM**

03	TEXT & DRAWING	24DEC2012	JLB
NO.	REVISION	DATE	BY

CAD DWG FILE:
A-501-SHIPLAP-SK2.DWG

SCALE: AS SHOWN

DRAWN BY: JLB RIONES

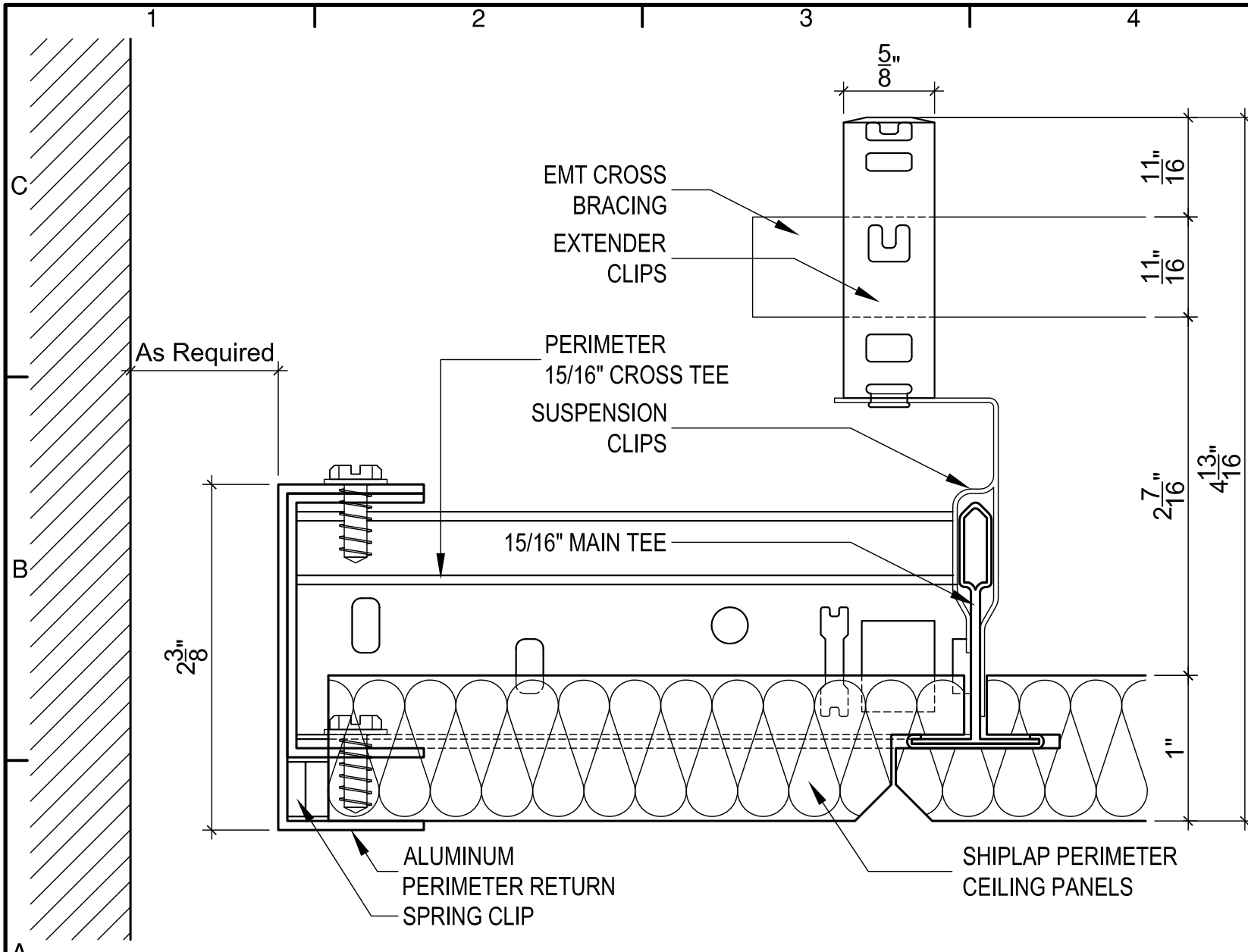
DATE: 02JAN2013

THIS DRAWING IS THE PROPERTY OF SOUND CONCEPTS WHICH RESERVES ALL COPYRIGHTS. THE SAME MAY NOT BE USED OR REPRODUCED, IN WHOLE OR IN PART WITHOUT THE WRITTEN PERMISSION OF SOUND CONCEPTS.

TITLE:

**2 3/8" FLOATING
PERIMETER**

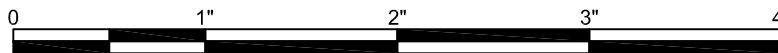
A-501-SHIPLAP-SK2



**DETAILS AT 2 3/8" FLOATING PERIMETER
(FACING PERIMETER CROSS TEE)**

A-1

SCALE: 1" = 1"



1 2 3 4