

PRODUCT: SHAPES, RECTANGULAR, 1" x 48" x 96"

MOUNTING: IMPALIT CLIP WITH T-GRID AND HANGER WIRE SUSPENSION



599 Henry Street
Winnipeg, Manitoba
Canada R3A 0V1
Phone: 204.783.6297
Fax: 204.783.7806

customerservice@soundconcepts.ca

PRODUCT:

SHAPES CEILING SYSTEM

DISCLAIMER

THESE DRAWINGS SHOW TYPICAL DETAILS FOR SOUND CONCEPTS PRODUCTS AND THEIR INSTALLATION. THEY ARE SUBJECT TO CHANGE WITHOUT NOTICE. SOUND CONCEPTS DOES NOT WARRANT AND ASSUMES NO LIABILITY FOR THE ACCURACY, COMPLETENESS OR FITNESS FOR A PARTICULAR PURPOSE.

01	NEW SHEET	02MAR	JLB
NO.	REVISION	DATE	BY

CAD DWG FILE:

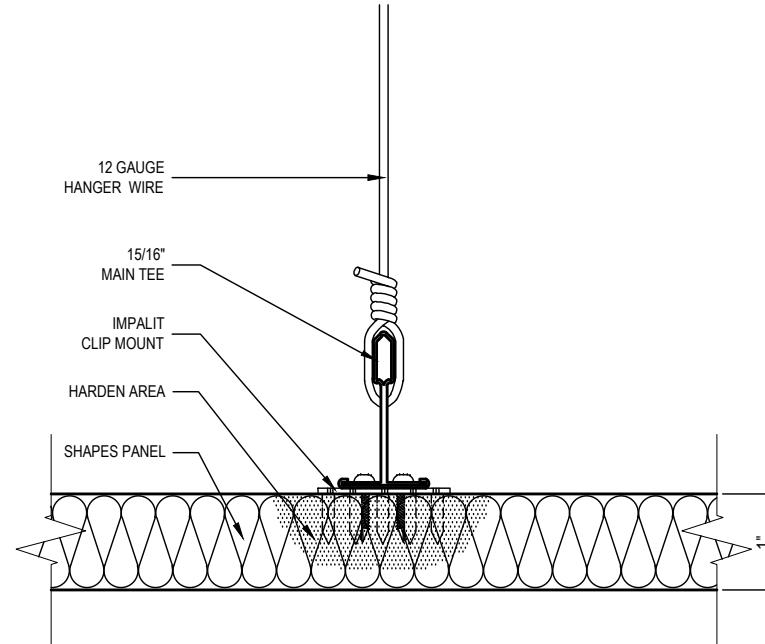
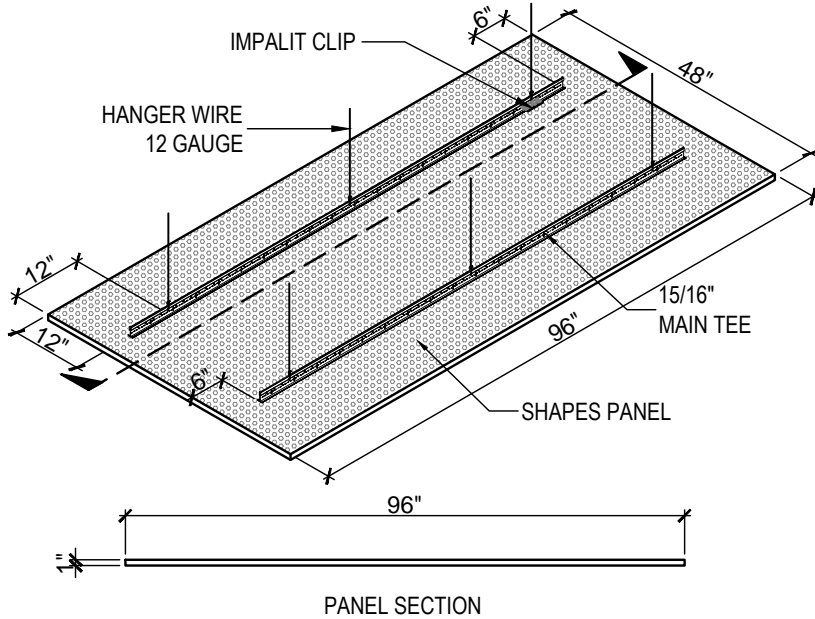
A-501-SHAPES-SK8ALT1.DWG

SCALE: AS SHOWN

DRAWN BY: JLBRIONES

DATE: 02MAR2014

THIS DRAWING IS THE PROPERTY OF SOUND CONCEPTS WHICH RESERVES ALL COPYRIGHTS. THE SAME MAY NOT BE USED OR REPRODUCED, IN WHOLE OR IN PART WITHOUT THE WRITTEN PERMISSION OF SOUND CONCEPTS.



DESIGN OPTIONS

SIZE	EDGE	FINISH	MOUNTING	PERFORMANCE
<ul style="list-style-type: none"> STANDARD: 1" x 48" x 96", RECTANGULAR OPTIONS: 2" THICK CORE DIMENSIONS in 1/8" INCREMENTS CONFIGURATIONS: PANELS CAN BE JOINED TOGETHER INTO CLOUDS 	<ul style="list-style-type: none"> PROFILE: SQUARE, BEVEL, BULLNOSE CONSTRUCTION: REFLECT, HARDEN, EXTRUDED ALUMINUM CORNERS: SQUARE, RADIUS, NOTCHED RETURNS: FIBERGLASS AND EXTRUDED ALUMINUM 	<ul style="list-style-type: none"> EUROMAT, EUROMATALLIC, BREATHABLE FABRICS, COMPREHENSIVE CUSTOM CAPABILITIES OPTIONS: FACE AND EDGES FACE & EDGE WITH FOIL BACK FULLY UPHOLSTERED, 360°, FACE, EDGES AND BACK 	<ul style="list-style-type: none"> CONCEALED MOUNTINGS: TWIST, HOOK OVER, IMPALIT CLIP, EYE SCREW, D-RING, ROTOFAST CLOUDS EXPOSED MOUNTING: CAPS, CUSTOM SUSPENSION: AIRCRAFT CABLE, HANGER WIRE, CADDY SPEED LINK, GRIPLOCK, 15/16" T-GRID 	<ul style="list-style-type: none"> NRC: REFLECTIVE, 1"=1.00, 2" = 1.05 SABINS = 4,608 sq.in./side ASTM E 84: EUROMAT FLAME SPREAD 20, SMOKE DEVELOPED 30 LR: EUROMAT WHITE = 92.5 LEED Credits: MR4.1, MR 4.2, EA 1, EQPR3, EQ 3.2, EQ 7.1, EQ 9, EQ 10, ID1-1.4

TITLE:

SHAPES
1" x 48" x 96"
RECTANGULAR WITH
IMPALIT CLIP MOUNT
with T-GRID and
HANGER WIRE
SUSPENSION

A-501-SHAPES-SK8G