

PRODUCT: SHAPES, SQUARE, 1" x 36" x 36"

MOUNTING: TWIST MOUNT WITH CADDY SPEED LINK



599 Henry Street
Winnipeg, Manitoba
Canada R3A 0V1
Phone: 204.783.6297
Fax: 204.783.7806

customerservice@soundconcepts.com

PRODUCT:

SHAPES CEILING SYSTEM

DISCLAIMER

THESE DRAWINGS SHOW TYPICAL DETAILS FOR SOUND CONCEPTS PRODUCTS AND THEIR INSTALLATION. THEY ARE SUBJECT TO CHANGE WITHOUT NOTICE. SOUND CONCEPTS DOES NOT WARRANT AND ASSUMES NO LIABILITY FOR THE ACCURACY, COMPLETENESS OR FITNESS FOR A PARTICULAR PURPOSE.

01	NEW DWG/SHEET	25OCT	JLB
NO.	REVISION	DATE	BY

CAD DWG FILE:
A-501-SHAPES-SK8B.DWG

SCALE: AS SHOWN

DRAWN BY: JLBRIONES

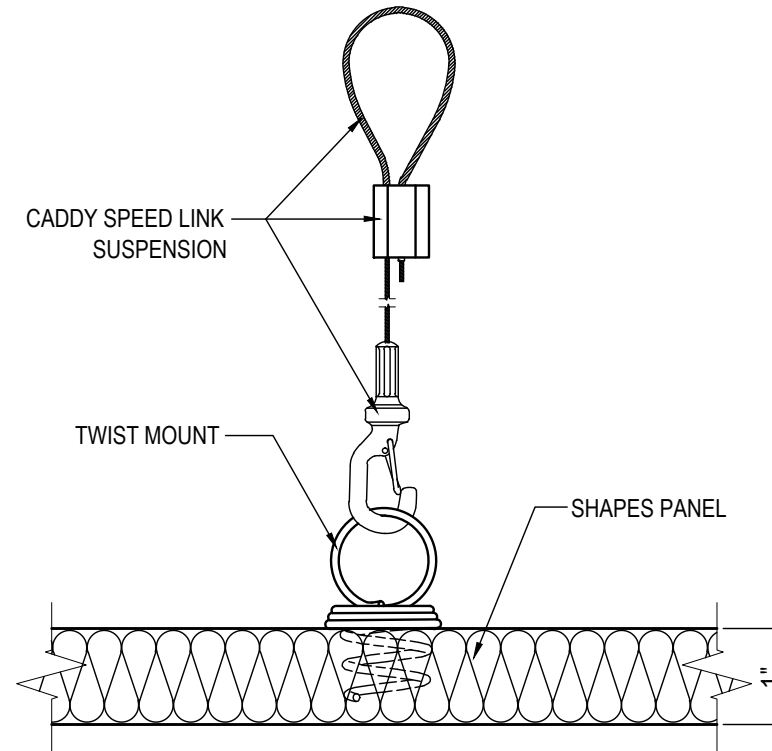
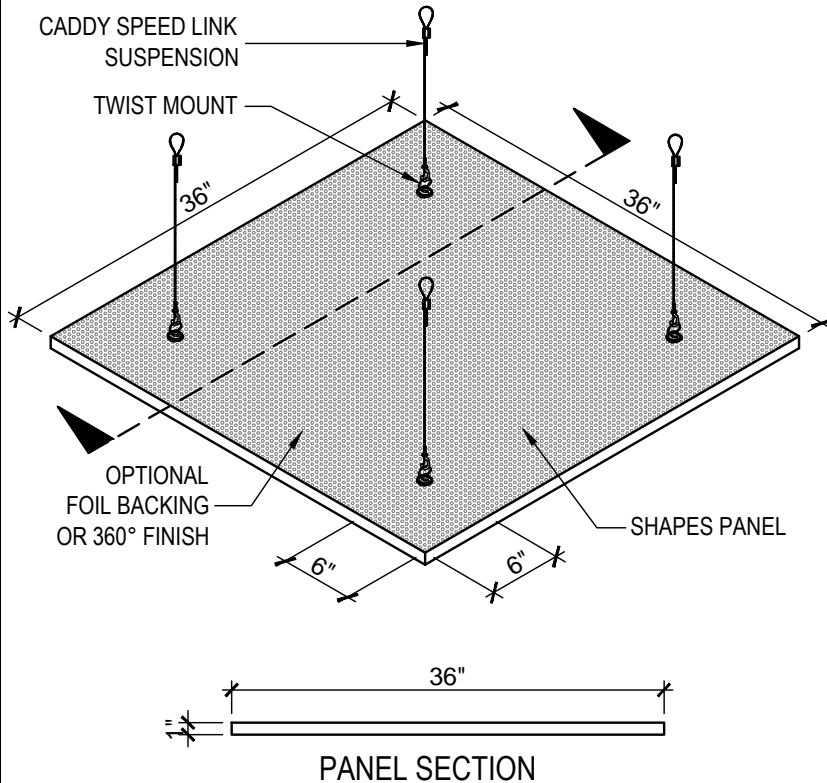
DATE: 25OCT2013

THIS DRAWING IS THE PROPERTY OF SOUND CONCEPTS WHICH RESERVES ALL COPYRIGHTS. THE SAME MAY NOT BE USED OR REPRODUCED, IN WHOLE OR IN PART WITHOUT THE WRITTEN PERMISSION OF SOUND CONCEPTS.

TITLE:

SHAPES 1" x 36" x 36" SQUARE WITH TWIST MOUNT AND CADDY SPEED LINK SUSPENSION

A-501-SHAPES-SK8B



DESIGN OPTIONS

SIZE	EDGE	FINISH	MOUNTING	PERFORMANCE
<ul style="list-style-type: none"> STANDARD: 1" X 36" X 36" SQUARE OPTIONS: 2" THICK CORE DIMENSIONS IN 1/8" INCREMENTS CONFIGURATIONS: CAN BE JOINED TOGETHER INTO CLOUDS 	<ul style="list-style-type: none"> PROFILE: SQUARE, BEVEL, BULLNOSE CONSTRUCTION: REFLECT, HARDEN, EXTRUDED ALUMINUM CORNERS: SQUARE, RADIUS, NOTCHED RETURNS: FIBERGLASS AND EXTRUDED ALUMINUM 	<ul style="list-style-type: none"> EUROMAT, EUROMATALLIC, BREATHABLE FABRICS, COMPREHENSIVE CUSTOM CAPABILITIES OPTIONS: FACE AND EDGES, FACE & EDGE WITH FOIL BACK, FULLY UPHOLSTERED, 360°, FACE, EDGES AND BACK 	<ul style="list-style-type: none"> CONCEALED MOUNTINGS: TWIST, IMPALIT CLIP, EYE SCREW, D-RING, ROTOFAST CLOUDS EXPOSED MOUNTING: CAPS, CUSTOM SUSPENSION: AIRCRAFT CABLE, HANGER WIRE, CADDY SPEED LINK, GRIPLOCK, 15/16" T-GRID 	<ul style="list-style-type: none"> NRC: REFLECTIVE, 1"=1.00, 2" = 1.05 SABINS = 1,301 sq.in. ASTM E 84: EUROMAT FLAME SPREAD 20, SMOKE DEVELOPED 30 LR: EUROMAT WHITE = 92.5 LEED Credits: MR4.1, MR 4.2, EA 1, EQPR3, EQ 3.2, EQ 7.1, EQ 9, EQ 10, ID1-1.4