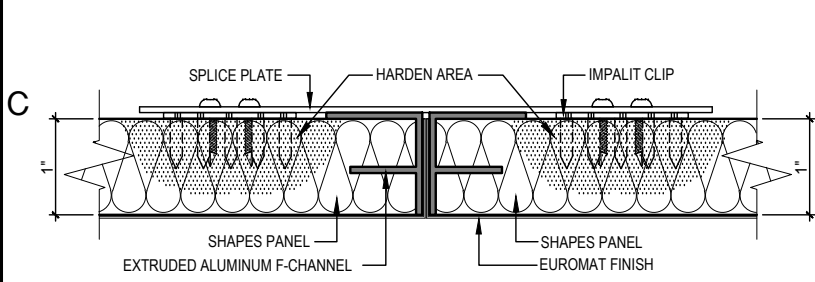


NOTE: SOME SHIMMING MAY BE REQUIRED TO ACHIEVE PRECISE PANEL ALIGNMENT

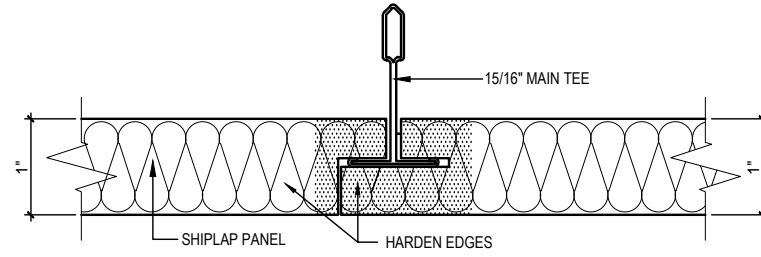


599 Henry Street
 Winnipeg, Manitoba
 Canada R3A 0V1
 Phone: 204.783.6297
 Fax: 204.783.7806

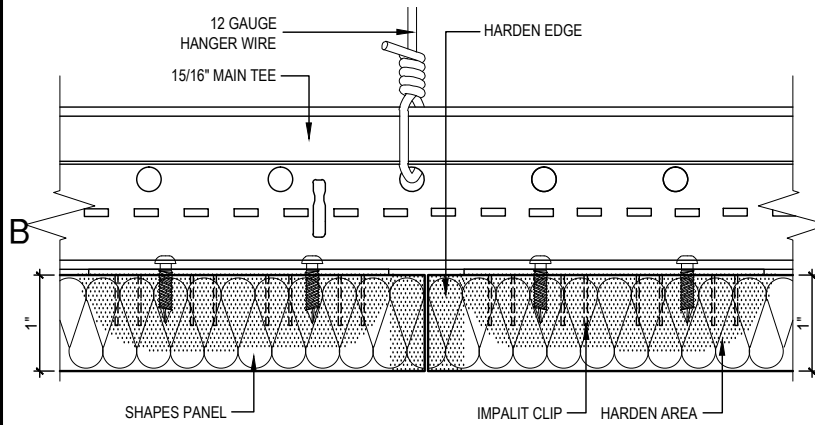
customerservice@soundconcepts.ca



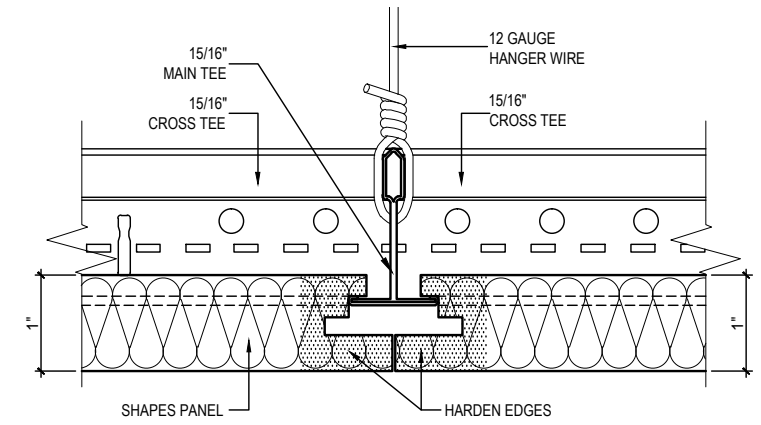
SPLICE PLATE



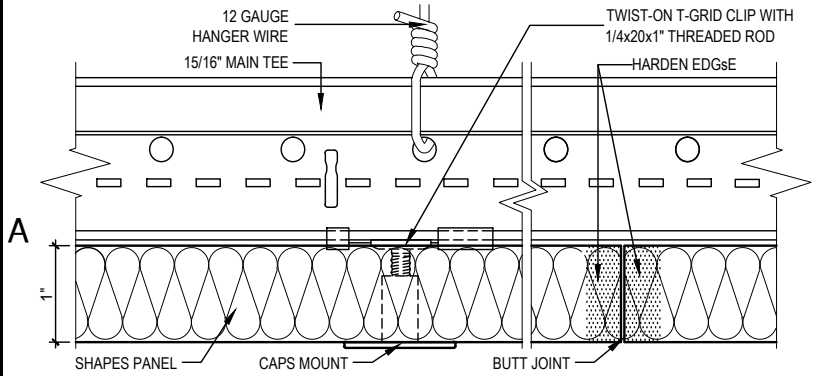
SHIPLAP



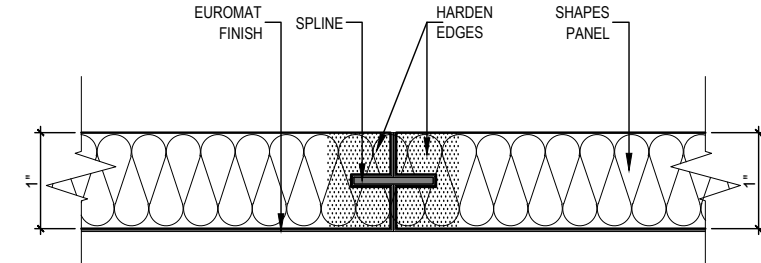
15"/16" MAIN TEE, BUTT JOINT



LIFT & SHIFT



CAPS MOUNT



CONCEALED SPLINE

C PRODUCT:

SHAPES CEILING SYSTEM

DISCLAIMER

THESE DRAWINGS SHOW TYPICAL DETAILS FOR SOUND CONCEPTS PRODUCTS AND THEIR INSTALLATION. THEY ARE SUBJECT TO CHANGE WITHOUT NOTICE. SOUND CONCEPTS DOES NOT WARRANT AND ASSUMES NO LIABILITY FOR THE ACCURACY, COMPLETENESS OR FITNESS FOR A PARTICULAR PURPOSE.

NO.	REVISION	DATE	BY
01	NEW SHEET	25OCT	JLB

CAD DWG FILE:
 A-501-SHAPES-SK7D1.DWG

SCALE: AS SHOWN

DRAWN BY: JLBRIONES

DATE: 25OCT2013

THIS DRAWING IS THE PROPERTY OF SOUND CONCEPTS WHICH RESERVES ALL COPYRIGHTS. THE SAME MAY NOT BE USED OR REPRODUCED, IN WHOLE OR IN PART WITHOUT THE WRITTEN PERMISSION OF SOUND CONCEPTS.

TITLE:

**JOINERY:
 SQUARE EDGE
 BUTT JOINT**

A

A-501-SHAPES-SK7D1