

**C** PRODUCT:  
**SHAPES CEILING SYSTEM**

**DISCLAIMER**  
THESE DRAWINGS SHOW TYPICAL DETAILS FOR SOUND CONCEPTS PRODUCTS AND THEIR INSTALLATION. THEY ARE SUBJECT TO CHANGE WITHOUT NOTICE. SOUND CONCEPTS DOES NOT WARRANT AND ASSUMES NO LIABILITY FOR THE ACCURACY, COMPLETENESS OR FITNESS FOR A PARTICULAR PURPOSE.

01	NEW SHEET	14FEB	JLB
<b>B</b>	NO.	REVISION	DATE BY

CAD DWG FILE:  
A-501-SHAPES-SK5E.DWG

SCALE: AS SHOWN

DRAWN BY: JLB RIONES

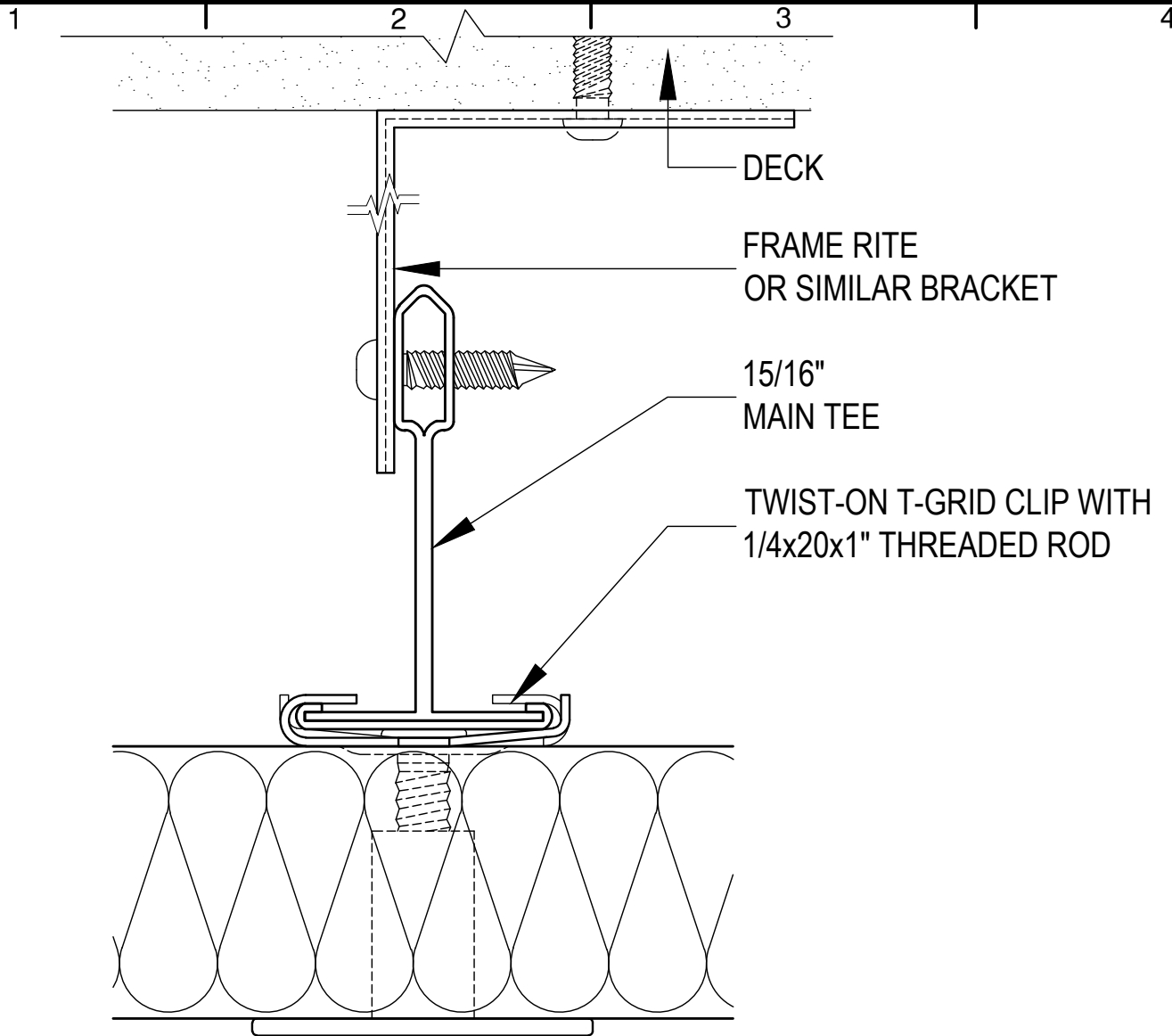
DATE: 14FEB2014

THIS DRAWING IS THE PROPERTY OF SOUND CONCEPTS WHICH RESERVES ALL COPYRIGHTS. THE SAME MAY NOT BE USED OR REPRODUCED, IN WHOLE OR IN PART WITHOUT THE WRITTEN PERMISSION OF SOUND CONCEPTS.

TITLE:  
**MOUNT CAPS**

**A** SUSPENSION:  
FRAME RITE  
BRACKET, T GRID  
AND TWIST ON T  
GRID CLIP WITH  
THREADED ROD

A-501-SHAPES-SK5E



**DETAIL: CAPS MOUNT WITH FRAME RITE BRACKET, T-GRID AND TWIST ON T GRID CLIP WITH THREADED ROD SUSPENSION**

SCALE: 1-1/2" = 1"



**A-1**

1 2 3 4