

PRODUCT: CANOPIES, RECTANGULAR, HILL 1-1/8" x 42" x 96"

MOUNTING: TWIST MOUNT WITH CADDY SPEED LINK



599 Henry Street  
Winnipeg, Manitoba  
Canada R3A 0V1  
Phone: 204.783.6297  
Fax: 204.783.7806

customerservice@soundconceptscan.com

PRODUCT:

## CANOPIES CEILING SYSTEM

### DISCLAIMER

THESE DRAWINGS SHOW TYPICAL DETAILS FOR SOUND CONCEPTS PRODUCTS AND THEIR INSTALLATION. THEY ARE SUBJECT TO CHANGE WITHOUT NOTICE. SOUND CONCEPTS DOES NOT WARRANT AND ASSUMES NO LIABILITY FOR THE ACCURACY, COMPLETENESS OR FITNESS FOR A PARTICULAR PURPOSE.

03	TEXT, DWG EDIT	11 SEP	JLB
02	TEXT, DWG EDIT	26 JUL	JLB
01	TEXT, DWG EDIT	27 SEP	JLB
NO.	REVISION	DATE	BY

CAD DWG FILE:

A-501-CANOPIES-SK8EHS.DWG

SCALE: AS SHOWN

DRAWN BY: JLB RIONES

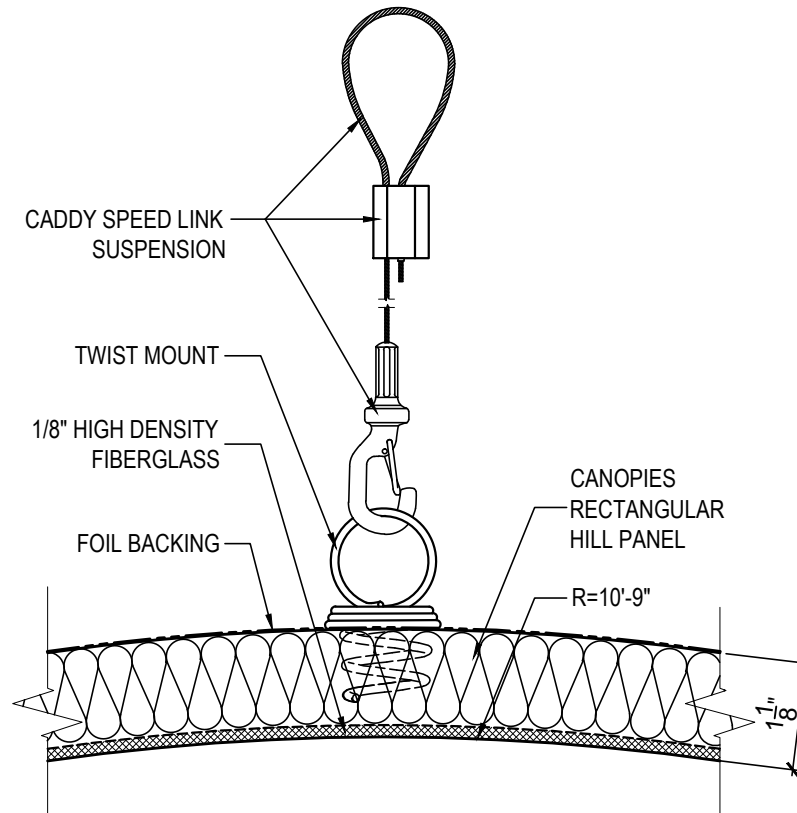
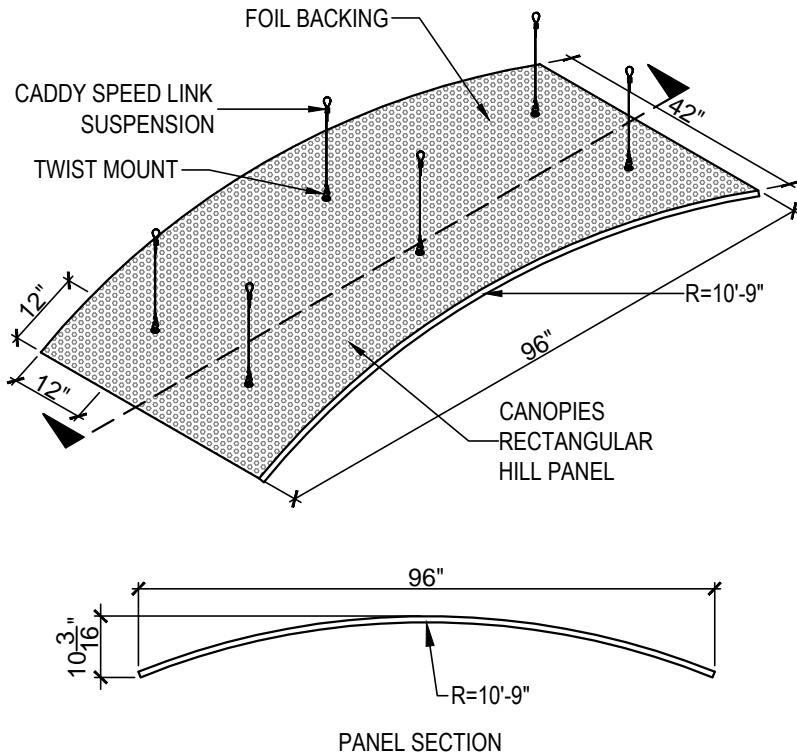
DATE: 06MAY2013

THIS DRAWING IS THE PROPERTY OF SOUND CONCEPTS WHICH RESERVES ALL COPYRIGHTS. THE SAME MAY NOT BE USED OR REPRODUCED, IN WHOLE OR IN PART WITHOUT THE WRITTEN PERMISSION OF SOUND CONCEPTS.

TITLE:

## CANOPIES 1-1/8" x 42" x 96" RECTANGULAR, HILL, TWIST MOUNT AND CADDY SPEED LINK SUSPENSION

A-501-CANOPIES-SK8EHS



### DESIGN OPTIONS

SIZE	EDGE	FINISH	MOUNTING	PERFORMANCE
<ul style="list-style-type: none"> <li>STANDARD: 1-1/8" x 42" x 96", RECTANGULAR, HILL WITH 10'-9" RADIUS</li> <li>OPTIONS: RADII to 30" DIMENSIONS in 1/8" INCREMENTS</li> <li>CONFIGURATIONS: PANELS CAN BE JOINED TOGETHER INTO CLOUDS</li> </ul>	<ul style="list-style-type: none"> <li>EDGES - SQUARE, EXTRUDED ALUMINUM</li> <li>CORNERS - SQUARE</li> <li>RETURNS - FIBERGLASS</li> </ul>	<ul style="list-style-type: none"> <li>EUROMAT, EUROMATALLIC, BREATHABLE FABRICS,</li> <li>COMPREHENSIVE CUSTOM CAPABILITIES</li> <li>OPTIONS: FACE AND EDGES WRAPPED WITH FOIL BACK FULLY UPHOLSTERED, 360° FINISHED FACE, EDGES AND BACK</li> </ul>	<ul style="list-style-type: none"> <li>CONCEALED MOUNTINGS: TWIST, IMPALIT CLIP, EYE SCREW, D-RING, ROTOFAST CLOUDS</li> <li>EXPOSED MOUNTING: CAPS, CUSTOM</li> <li>SUSPENSION: AIRCRAFT CABLE, HANGER WIRE, CADDY SPEED LINK, GRIPLOCK, 15/16" T-GRID</li> </ul>	<ul style="list-style-type: none"> <li>NRC: REFLECTIVE, 1"=1.00, 2" = 1.05</li> <li>SABINS = 4,032 sq.in./side</li> <li>ASTM E 84: EUROMAT FLAME SPREAD 20, SMOKE DEVELOPED 30</li> <li>LR: EUROMAT WHITE = 92.5</li> <li>LEED Credits: MR4.1, MR 4.2, EA 1, EQPR3, EQ 3.2, EQ 7.1, EQ 9, EQ 10, ID1-1.4</li> </ul>