

PRODUCT: CANOPIES, SQUARE, HILL, 1-1/8" x 48" x 48"

MOUNTING: TWIST MOUNT WITH CADDY SPEED LINK



599 Henry Street
Winnipeg, Manitoba
Canada R3A 0V1
Phone: 204.783.6297
Fax: 204.783.7806

customerservice@soundconcepts.com

PRODUCT:

CANOPIES CEILING SYSTEM

DISCLAIMER

THESE DRAWINGS SHOW TYPICAL DETAILS FOR SOUND CONCEPTS PRODUCTS AND THEIR INSTALLATION. THEY ARE SUBJECT TO CHANGE WITHOUT NOTICE. SOUND CONCEPTS DOES NOT WARRANT AND ASSUMES NO LIABILITY FOR THE ACCURACY, COMPLETENESS OR FITNESS FOR A PARTICULAR PURPOSE.

03	TEXT, DWG EDIT	11SEP	JLB
02	TEXT, DWG EDIT	26JUL	JLB
01	TEXT, DWG EDIT	27SEP	JLB
NO.	REVISION	DATE	BY

CAD DWG FILE:

A-501-CANOPIES-SK8CHS.DWG

SCALE: AS SHOWN

DRAWN BY: JLBRIONES

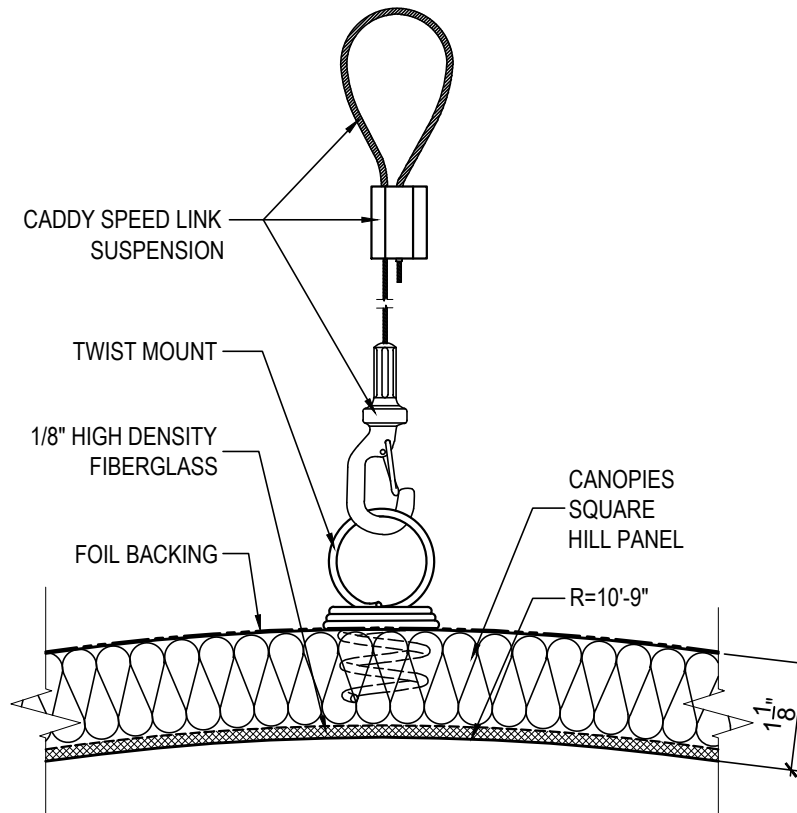
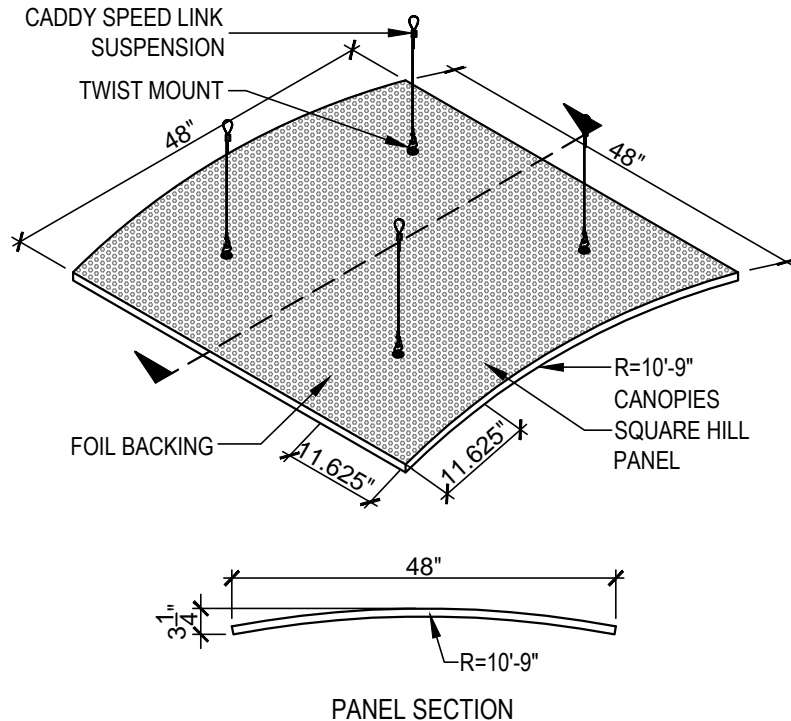
DATE: 12APR2013

THIS DRAWING IS THE PROPERTY OF SOUND CONCEPTS WHICH RESERVES ALL COPYRIGHTS. THE SAME MAY NOT BE USED OR REPRODUCED, IN WHOLE OR IN PART WITHOUT THE WRITTEN PERMISSION OF SOUND CONCEPTS.

TITLE:

CANOPIES 1-1/8" x 48" x 48", SQUARE, HILL, TWIST MOUNT AND CADDY SPEED LINK SUSPENSION

A-501-CANOPIES-SK8CHS



DESIGN OPTIONS

SIZE	EDGE	FINISH	MOUNTING	PERFORMANCE
<ul style="list-style-type: none"> STANDARD: 1-1/8" x 48" x 48" SQUARE, HILL WITH 10'-9" RADIUS OPTIONS: RADII TO 30" DIMENSIONS IN 1/8" INCREMENTS CONFIGURATIONS: CAN BE JOINED TOGETHER TO FORM CLOUDS 	<ul style="list-style-type: none"> EDGES - SQUARE, EXTRUDED ALUMINUM CORNERS - SQUARE RETURNS - FIBERGLASS 	<ul style="list-style-type: none"> EUOMAT, EUOMATALLIC, BREATHABLE FABRICS COMPREHENSIVE CUSTOM CAPABILITIES OPTIONS: FACE AND EDGES WRAPPED WITH FOIL BACK FULLY UPHOLSTERED, 360° WITH FINISHED FACE, EDGES AND BACK 	<ul style="list-style-type: none"> CONCEALED MOUNTINGS: TWIST, IMPALIT CLIP, EYE SCREW, D-RING, ROTOFAST CLOUDS EXPOSED MOUNTING: CAPS, CUSTOM SUSPENSION: AIRCRAFT CABLE, HANGER WIRE, CADDY SPEED LINK, GRIPLOCK, 15/16" T-GRID 	<ul style="list-style-type: none"> NRC: REFLECTIVE, 1"=1.00, 2" = 1.05 SABINS = 2,304 sq.in./side ASTM E 84: EUOMAT FLAME SPREAD 20, SMOKE DEVELOPED 30 LR: EUOMAT WHITE = 92.5 LEED Credits: MR4.1, MR 4.2, EA 1, EQPR3, EQ 3.2, EQ 7.1, EQ 9, EQ 10, ID1-1.4