

C PRODUCT:
**CANOPIES
CEILING SYSTEM**

DISCLAIMER
THESE DRAWINGS SHOW TYPICAL
DETAILS FOR SOUND CONCEPTS
PRODUCTS AND THEIR INSTALLATION.
THEY ARE SUBJECT TO CHANGE
WITHOUT NOTICE. SOUND CONCEPTS
DOES NOT WARRANT AND ASSUMES NO
LIABILITY FOR THE ACCURACY,
COMPLETENESS OR FITNESS FOR A
P A R T I C U L A R P U R P O S E .

01	NEW SHEET	18AUG	JLB
B	NO.	REVISION	DATE BY

CAD DWG FILE:
A-501-CANOPIES-SK6Z6.DWG

SCALE: AS SHOWN

DRAWN BY: JLBRIONES

DATE: 18AUG2013

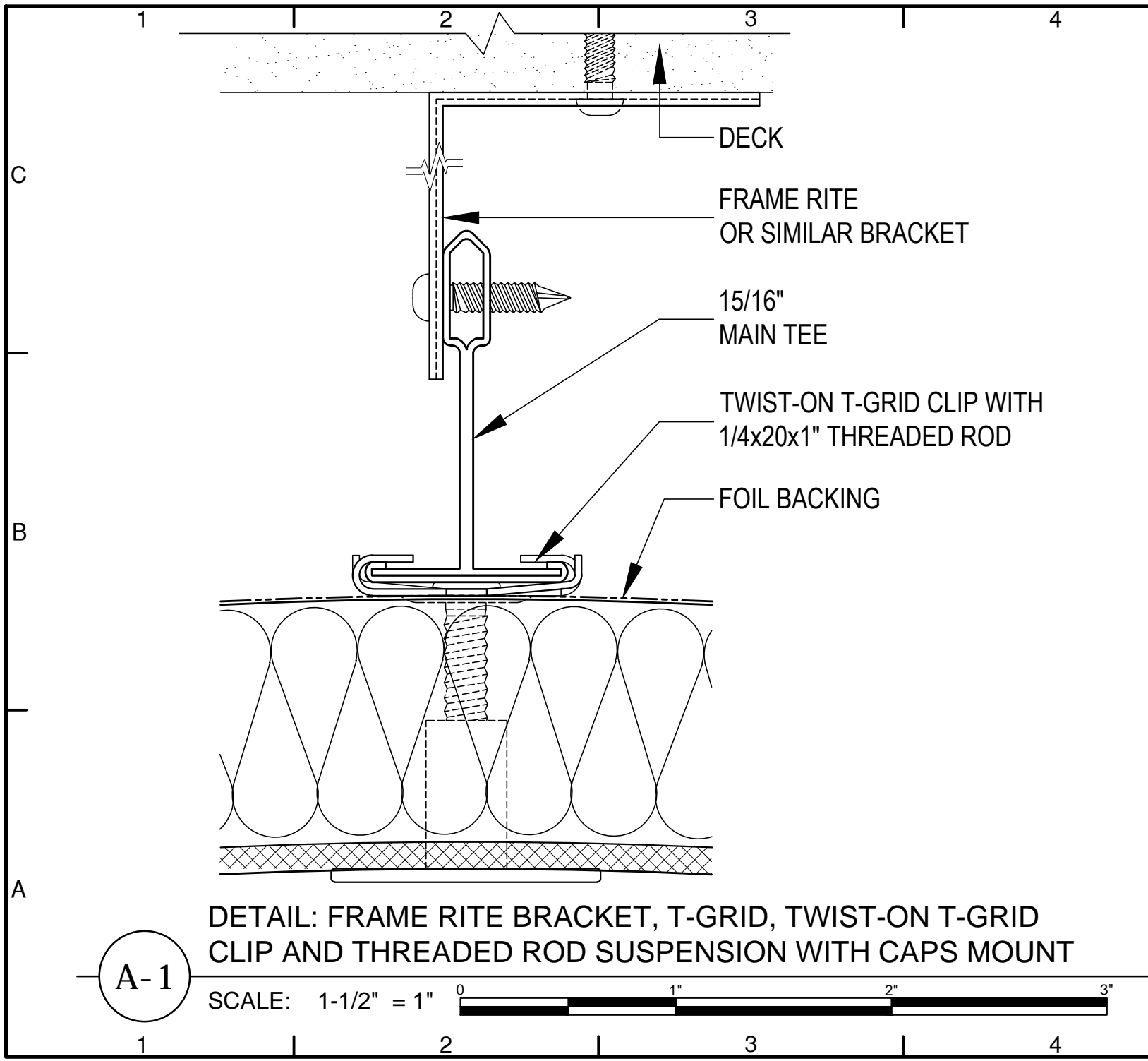
THIS DRAWING IS THE PROPERTY OF
SOUND CONCEPTS WHICH RESERVES
ALL COPYRIGHTS. THE SAME MAY NOT
BE USED OR REPRODUCED, IN WHOLE
OR IN PART WITHOUT THE WRITTEN
PERMISSION OF SOUND CONCEPTS.

TITLE:

A SUSPENSION:
FRAME RITE
BRACKET, T-GRID,
TWIST-ON
T-GRID CLIP AND
THREADED ROD

MOUNT: CAPS

A-501-CANOPIES-
SK6Z6



DETAIL: FRAME RITE BRACKET, T-GRID, TWIST-ON T-GRID CLIP AND THREADED ROD SUSPENSION WITH CAPS MOUNT

A-1

SCALE: 1-1/2" = 1" 