

C PRODUCT:

**CANOPIES  
CEILING SYSTEM**

**DISCLAIMER**

THESE DRAWINGS SHOW TYPICAL DETAILS FOR SOUND CONCEPTS PRODUCTS AND THEIR INSTALLATION. THEY ARE SUBJECT TO CHANGE WITHOUT NOTICE. SOUND CONCEPTS DOES NOT WARRANT AND ASSUMES NO LIABILITY FOR THE ACCURACY, COMPLETENESS OR FITNESS FOR A PARTICULAR PURPOSE.

03	TEXT, DWG EDIT	27SEP	JLB
----	----------------	-------	-----

02	TEXT, DWG EDIT	26JUL	JLB
----	----------------	-------	-----

01	TEXT EDIT	15APR	JLB
----	-----------	-------	-----

NO.	REVISION	DATE	BY
-----	----------	------	----

CAD DWG FILE:  
A-501-CANOPIES-SK5A.DWG

SCALE: AS SHOWN

DRAWN BY: JLBRIONES

DATE: 15APR2013

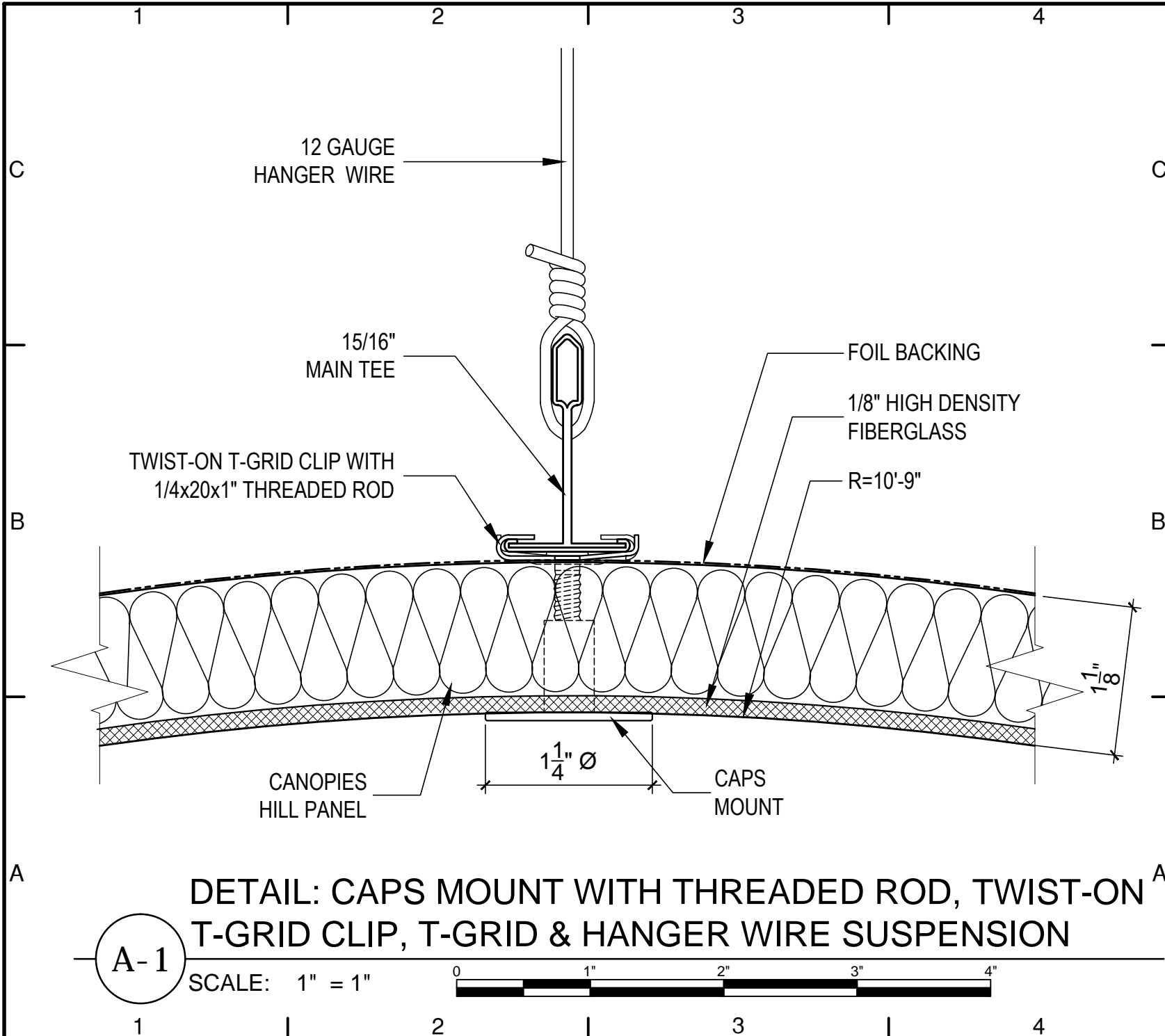
THIS DRAWING IS THE PROPERTY OF SOUND CONCEPTS WHICH RESERVES ALL COPYRIGHTS. THE SAME MAY NOT BE USED OR REPRODUCED, IN WHOLE OR IN PART WITHOUT THE WRITTEN PERMISSION OF SOUND CONCEPTS.

TITLE:

**MOUNT: CAPS**

**SUSPENSION:  
THREADED ROD,  
TWIST-ON  
T-GRID CLIP,  
T-GRID &  
HANGER WIRE**

A-501-CANOPIES-SK5A



A-1