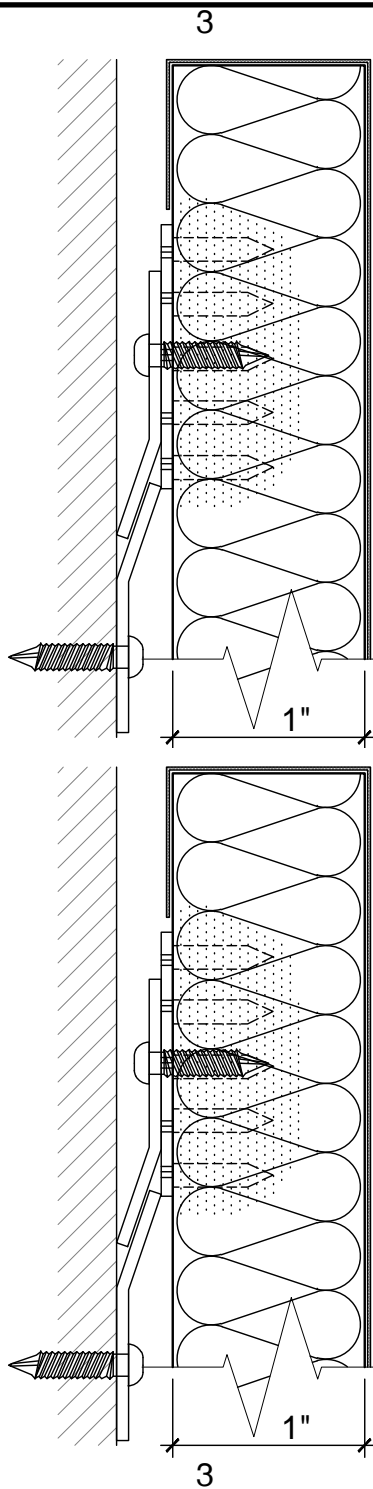


ADHESIVE

INSTALL BOTTOM LEVELING BRACKETS.
 APPLY CONSTRUCTION ADHESIVE TO HARD SPOTS ON PANEL BACK. RIBBONS OF ADHESIVE SHOULD ALSO BE ADDED.
 PRESS FIRMLY TO SPREAD ADHESIVE

IMPALIT CLIP

POSITION AND SCREW IMPALIT CLIPS TO WALL (TEETH OUT).
 LINE UP PANELS TO HORIZONTAL AND VERTICAL PLUMB LINE AND IMPALE PANEL FIRMLY INTO CLIPS.
 IF ADHESIVE OPTION REQUIRED, BUTTER TEETH WITH EXTREMELY SLOW SETTING PANEL ADHESIVE IMMEDIATELY PRIOR TO IMPALING EACH PANEL



Z - CLIP

PANEL PORTION OF Z-CLIPS ARE FACTORY INSTALLED TRANSFER THESE LOCATIONS TO WALL AND FASTEN WALL PORTION.
 ENGAGE PANEL CLIP

Z - BAR / CLIP

PANEL PORTION OF Z-CLIPS ARE FACTORY INSTALLED TRANSFER THESE LOCATIONS TO WALL AND FASTEN WALL PORTION.
 ENGAGE PANEL CLIP



599 Henry Street
 Winnipeg, Manitoba
 Canada R3A 0V1
 Phone: 204.783.6297
 Fax: 204.783.7806

customerservice@soundconcepts.ca

C PRODUCT:

ACOUSTICAL WALL PANELS

DISCLAIMER

THESE DRAWINGS SHOW TYPICAL DETAILS FOR SOUND CONCEPTS PRODUCTS AND THEIR INSTALLATION. THEY ARE SUBJECT TO CHANGE WITHOUT NOTICE. SOUND CONCEPTS DOES NOT WARRANT AND ASSUMES NO LIABILITY FOR THE ACCURACY, COMPLETENESS OR FITNESS FOR A PARTICULAR PURPOSE.

01	NEW DWG/SHEET	MAY08	JLB
----	---------------	-------	-----

B NO. REVISION DATE BY

CAD DWG FILE:
 A-501-WALLS-SK5.DWG

SCALE: AS SHOWN

DRAWN BY: JLBRIONES

DATE: 08MAY2014

THIS DRAWING IS THE PROPERTY OF SOUND CONCEPTS WHICH RESERVES ALL COPYRIGHTS. THE SAME MAY NOT BE USED OR REPRODUCED, IN WHOLE OR IN PART WITHOUT THE WRITTEN PERMISSION OF SOUND CONCEPTS.

TITLE:

PANEL MOUNTS

A

A-501-WALLS-SK5