

C PRODUCT:

**ACOUSTICAL WALL PANELS**

DISCLAIMER

THESE DRAWINGS SHOW TYPICAL DETAILS FOR SOUND CONCEPTS PRODUCTS AND THEIR INSTALLATION. THEY ARE SUBJECT TO CHANGE WITHOUT NOTICE. SOUND CONCEPTS DOES NOT WARRANT AND ASSUMES NO LIABILITY FOR THE ACCURACY, COMPLETENESS OR FITNESS FOR A PARTICULAR PURPOSE.

01	NEW DWG/SHEET	MAY01	JLB
NO.	REVISION	DATE	BY

CAD DWG FILE:  
A-501-WALLS-SK1.DWG

SCALE: AS SHOWN

DRAWN BY: JLBRIONES

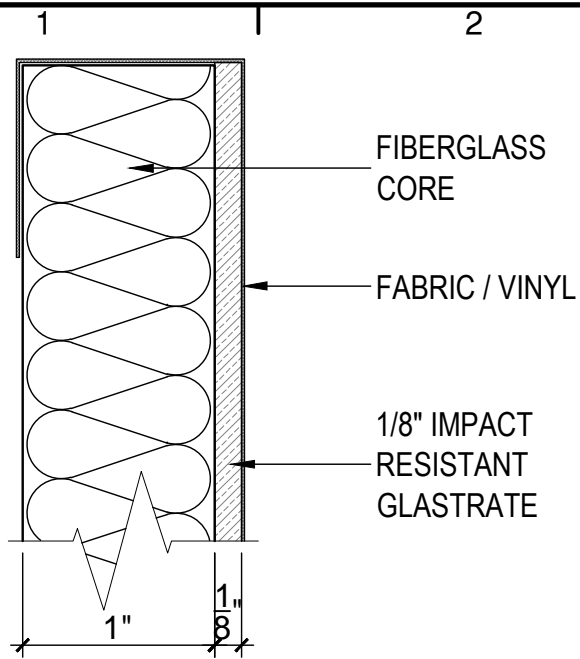
DATE: 01MAY2014

THIS DRAWING IS THE PROPERTY OF SOUND CONCEPTS WHICH RESERVES ALL COPYRIGHTS. THE SAME MAY NOT BE USED OR REPRODUCED, IN WHOLE OR IN PART WITHOUT THE WRITTEN PERMISSION OF SOUND CONCEPTS.

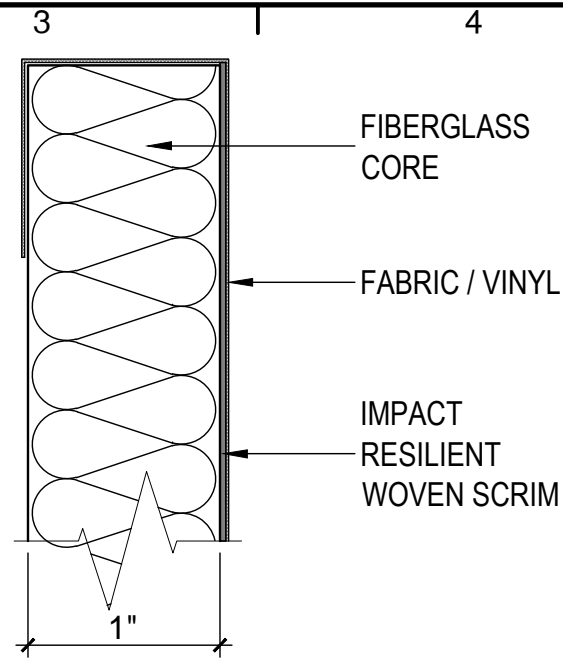
TITLE:

**PANEL OPTIONS**

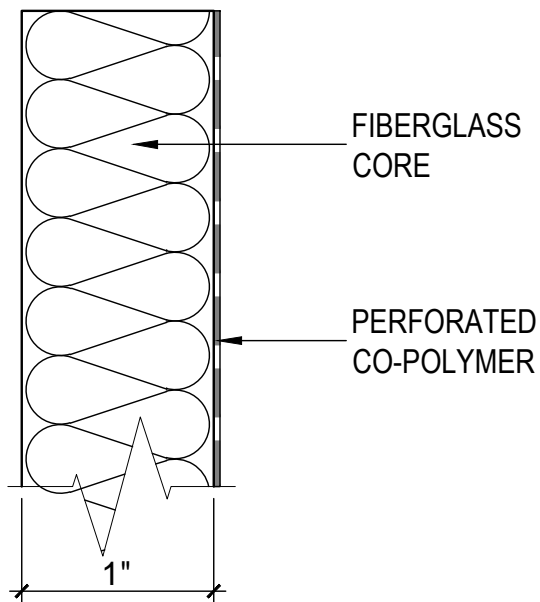
A-501-WALLS-SK2



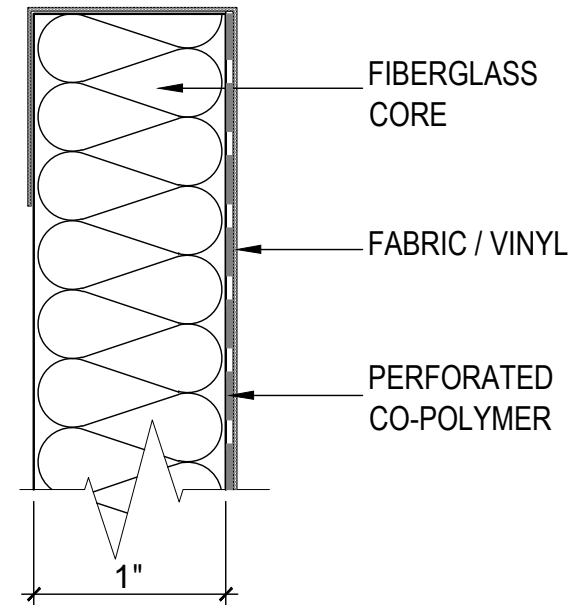
HIR 1 - HIGH IMPACT RESISTANT



HIR 2 - HIGH IMPACT RESILIENT



HIR 3 - SUPER IMPACT RESISTANT



HIR 4 EXTREME IMPACT RESISTANT

C

B

A

B

A