

## FIELD CUTTING PANELS AND FIELD CUT OUTS

FIELD CUT OUTS ARE EASILY ACHIEVED WITH SOUND CONCEPTS PANELS ESPECIALLY IF YOU FOLLOW THE OLD ADAGE "MEASURE TWICE, CUT ONCE"

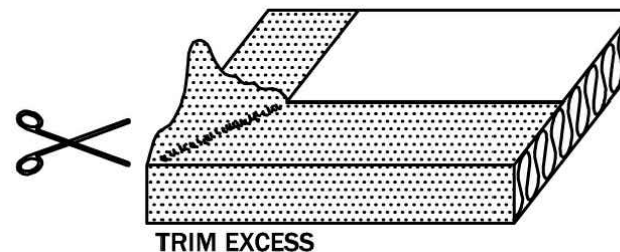
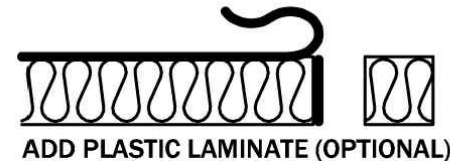
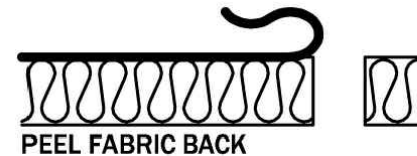
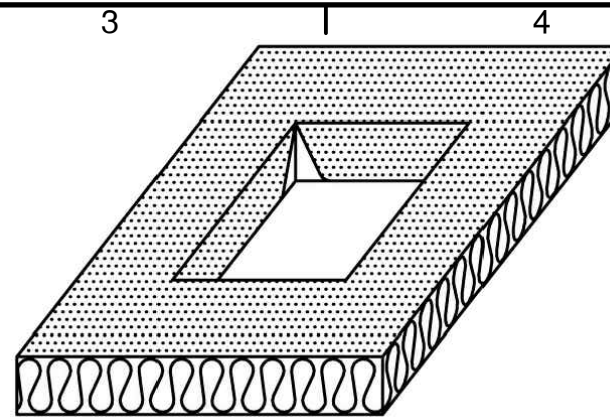
### C CUT OUTS

1. LOCATE CUTOUT ON BACK OF PANEL
2. PLACE PANEL FACE DOWN ON CLEAN LEVEL SURFACE
3. CUT FIBERGLASS OUT OF PANEL FROM THE BACK (DO NOT CUT THE FABRIC)
4. PLACE THE CUT PANEL BACK INTO POSITION TO ENSURE THAT THE CUTOUT IS IN THE CURRENT LOCATION
5. LAY THE PANEL FACE UP AND CLEAN, LEVEL SURFACE AND CUT THE FABRIC STARTING FROM THE CENTER TO THE FOUR CORNERS
6. RE-GLUE THE FABRIC USING A SPRAY CONTACT ADHESIVE, TAKING CARE NOT TO OVERSPRAY ONTO THE FACE OF THE FABRIC

### B CUT PANELS

1. MEASURE AND MARK ON THE PANEL BACK WHERE THE CUT IS REQUIRED
2. PEEL THE FABRIC OFF THE BACK, EDGES AND ONTO THE FACE, BACK BEYOND THE POINT WHERE THE PANEL NEEDS TO BE CUT
3. CUT THE FIBERGLASS USING A SHARP STAINLESS STEEL KNIFE ALONG THE LINE MARKED PREVIOUSLY
4. RE-GLUE THE FABRIC USING A SPRAY CONTACT ADHESIVE, TAKING CARE NOT TO OVERSPRAY ONTO THE FACE OF THE FABRIC
5. CUT EXCESS FABRIC AT CORNERS IN A SIMILAR FASHION TO THE FACTORY CUT CORNERS

### A



599 Henry Street  
Winnipeg, Manitoba  
Canada R3A 0V1  
Phone: 204.783.6297  
Fax: 204.783.7806

customerservice@soundconceptscan.com

### C PRODUCT:

**ACOUSTICAL  
WALL PANELS**

### DISCLAIMER

THESE DRAWINGS SHOW TYPICAL DETAILS FOR SOUND CONCEPTS PRODUCTS AND THEIR INSTALLATION. THEY ARE SUBJECT TO CHANGE WITHOUT NOTICE. SOUND CONCEPTS DOES NOT WARRANT AND ASSUMES NO LIABILITY FOR THE ACCURACY, COMPLETENESS OR FITNESS FOR A PARTICULAR PURPOSE.

NO.	REVISION	DATE	BY
01	NEW DWG/SHEET	MAY16	JLB

CAD DWG FILE:  
A-501-WALLS-SK12.DWG

SCALE: AS SHOWN

DRAWN BY: JLBRIONES

DATE: 16MAY2014

THIS DRAWING IS THE PROPERTY OF SOUND CONCEPTS WHICH RESERVES ALL COPYRIGHTS. THE SAME MAY NOT BE USED OR REPRODUCED, IN WHOLE OR IN PART WITHOUT THE WRITTEN PERMISSION OF SOUND CONCEPTS.

### TITLE:

**FIELD CUTTING  
PANELS AND  
FIELD CUT OUTS**

A-501-WALLS-SK12